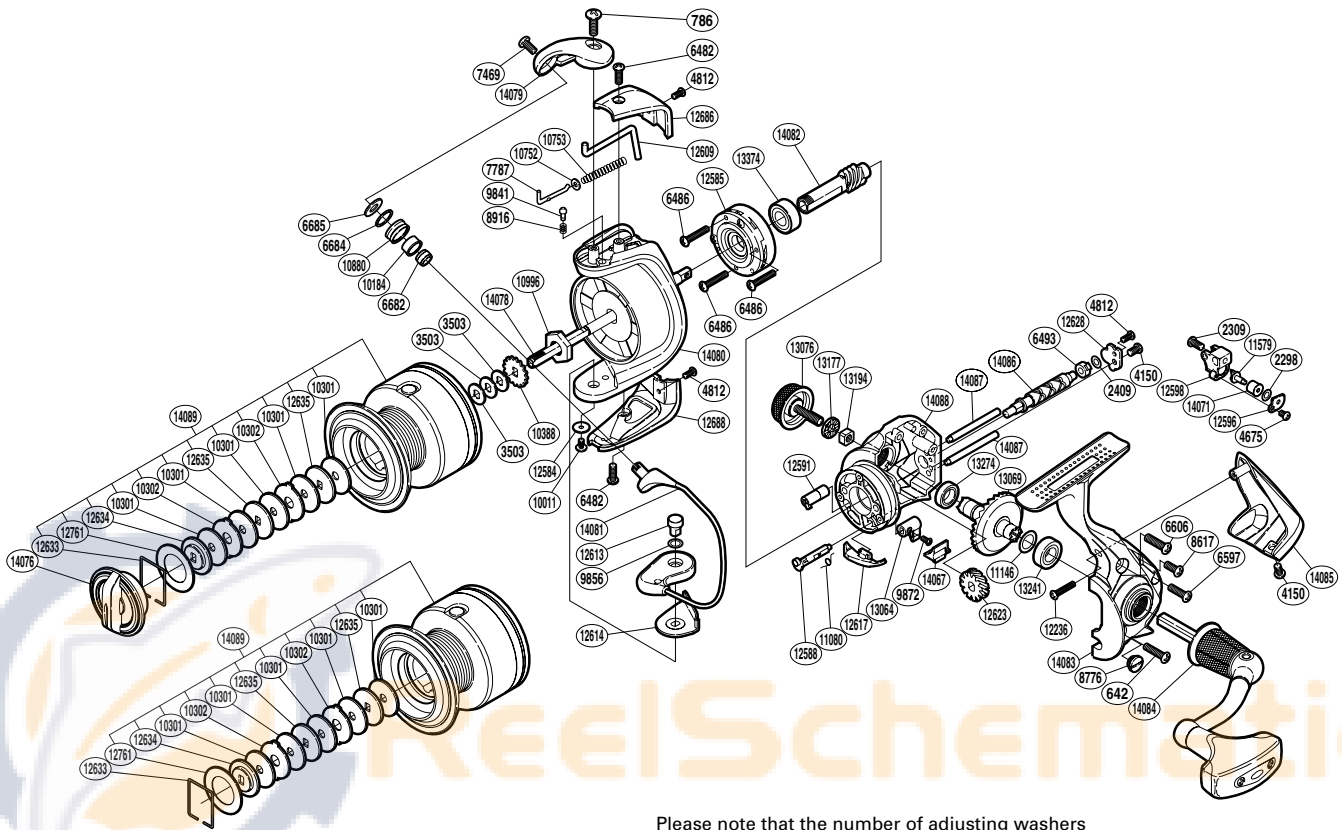


SHIMANO

TECHNIUM SA-RB

TEC-C5000FC



(1SG764902G)

Please note that the number of adjusting washers may not be the same as shown in the exploded views. (Adjustment will vary with each individual product.)

Part No.	Description	Part No.	Description	Part No.	Description
RD 0642	Screw	RD10301	Drag Washer	RD12688	Bail Hold Support Guard
RD 0786	Screw	RD10302	Eared Washer	RD12761	Retainer Washer
RD 2298	Spacer	RD10388	Spool Support	RD13064	Anti-Reverse Lever
RD 2309	Screw	RD10752	Spring Guide A Support	RD13069	Drive Gear
RD 2409	Spacer	RD10753	Bail Spring	RD13076	Handle Screw Cap
RD 3503	Spool Washer	RD10880	Line Roller	RD13177	Handle Screw Cap Spacer
RD 4150	Screw	RD10996	Rotor Nut	RD13194	Handle Screw Lock
RD 4675	Screw	RD11080	Anti-Reverse Cam Spring	RD13241	Ball Bearing
RD 4812	Screw	RD11146	Washer	RD13274	Ball Bearing
RD 6482	Screw	RD11579	Oscillating Pawl	RD13374	Ball Bearing
RD 6486	Screw	RD12236	Screw	RD14067	Anti-Reverse Lever Cover
RD 6493	Worm Bushing (rear)	RD12584	Washer	RD14071	Oscillating Slider Bushing
RD 6597	Screw	RD12585	Roller Clutch Assembly	RD14076	Drag Knob
RD 6606	Screw	RD12588	Anti-Reverse Cam	RD14078	Main Shaft
RD 6682	Line Roller Collar	RD12591	Worm Bushing (front)	RD14079	Bail Arm
RD 6684	Line Roller Spacer	RD12596	Oscillating Pawl Cover	RD14080	Rotor
RD 6685	Line Roller Washer	RD12598	Oscillating Slider	RD14081	Bail Assembly
RD 7469	Screw	RD12609	Bail Trip Lever	RD14082	Pinion Gear
RD 7787	Bail Spring Guide A	RD12613	Bail Hold Support Shaft	RD14083	Side Cover
RD 8617	Screw	RD12614	Bail Hold Support Spacer	RD14084	Handle Assembly
RD 8776	Oil Cap	RD12617	Bail Trip Strike	RD14085	Rear Protector
RD 8916	Click Spring	RD12623	Idle Gear	RD14086	Worm Shaft
RD 9841	Click Pin	RD12628	Worm Shaft Retainer	RD14087	Oscillating Guide
RD 9856	Washer	RD12633	Drag Washers Retainer	RD14088	Body
RD 9872	Screw	RD12634	Key Washer	RD14089	Spool Assembly
RD10011	Screw	RD12635	Key Washer		
RD10184	Line Roller Bushing	RD12686	Bail Spring Cover		

(220323)